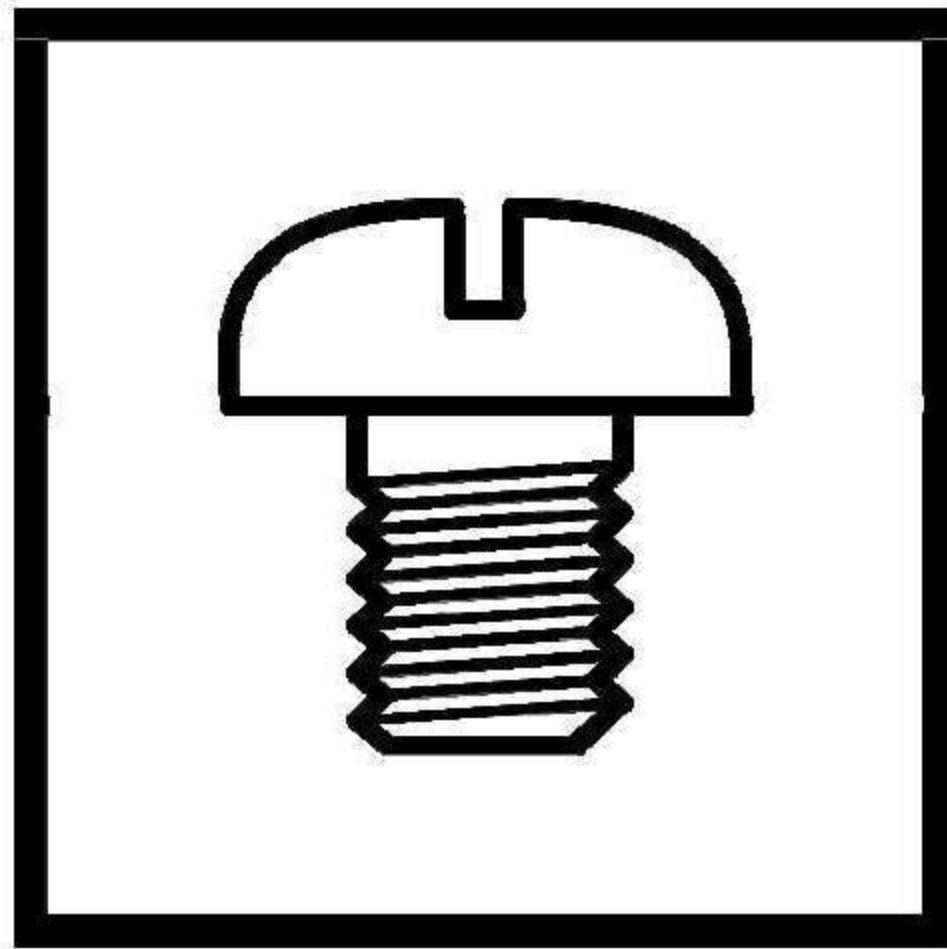


GLOBAL

WF 1575-B / WF 1575-B LH

Cylinderarm walking foot machine with large vertical axis hook.



PARTSBOOK

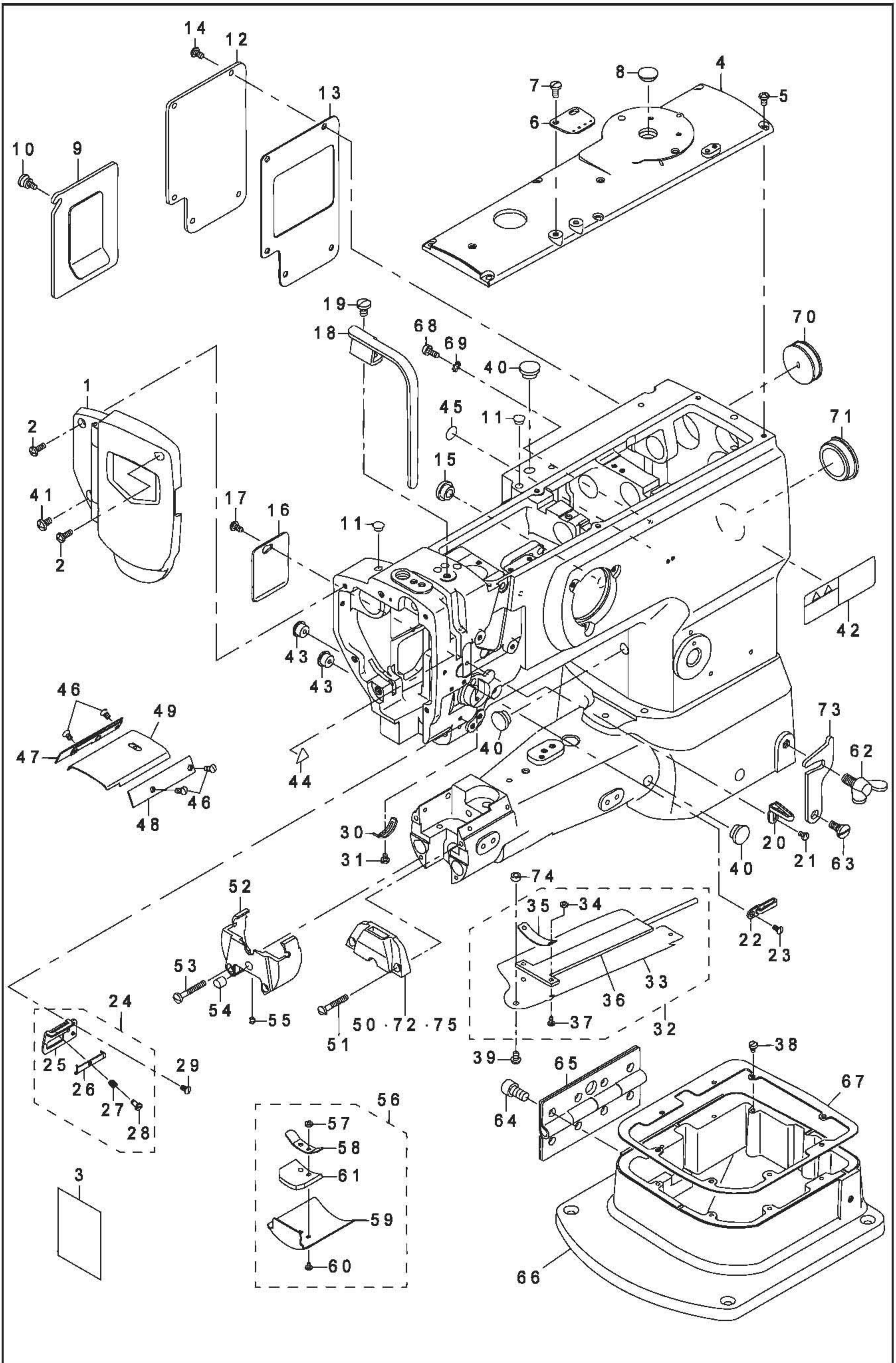
Table of Contents

A Handbook of Parts

1. Frame & miscellaneous cover components	1~2
2. Upper shaft driving & balance components	3~4
3. Needle bar rocking components	5~6
4. Upper feed mechanism components	7~8
5. Feed mechanism components(1)	9~10
6. Feed mechanism components(2)	11~12
7. Hook shaft & lower shaft components	13~14
8. Thread tension components.	15
9. Thread tension components.	16
10. Knee lifting components	17
11. Lubrication components	18
12. Belt cover	19
13. Lower thread winder mechanism components	20
14. Thread stand components.	21
15. Gauge components—optionals	22
16. Binder components—optional parts	23
17. Accessories parts components.	24

PARTSBOOK

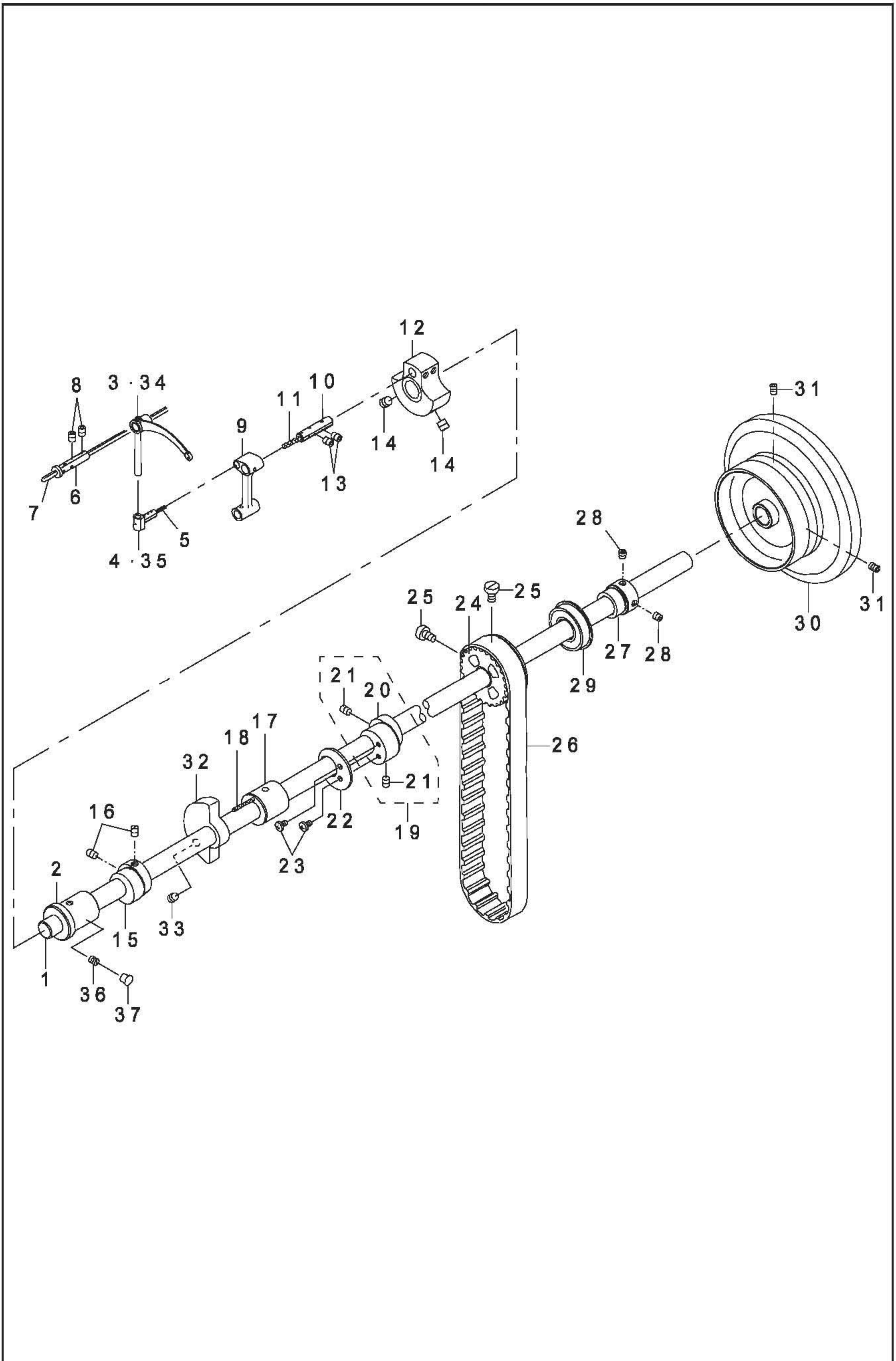
1. Frame & miscellaneous cover components



1. Frame & miscellaneous cover components

1	40016798	FACE PLATE ASM.	1
2	SS4111215SP	SCREW 11/64-40 L=12	2
3	40019114	LUBRICATION SUPPLEMENT	1
4	21331301	TOP COVER B	1
5	SS4110815SP	SCREW 11/64-40 L=8	6
6	21355904	ARM THREAD GUIDE	1
7	SS7621040SP	SCREW 3/16-32 L= 9.5	2
8	TA1450404R0	RUBBER PLUG D=14.5 L=4	1
9	21331756	WINDOW PLATE A ASM.	1
10	21331202	SETSCREW	1
11	TA0750404R0	PLUG D=7.5 L=3.5	2
12	21331806	WINDOW PLATE B	1
13	21332002	WINDOW PLATE PACKING B	1
14	SS4110815SP	SCREW 11/64-40 L=8	5
15	TA1250504R0	RUBBER PLUG	2
16	21332309	SIDE COVER	1
17	SS4110815SP	SCREW 11/64-40 L=8	1
18	21331608	BALANCE COVER	1
19	SS7150910TP	SCREW 15/64-28 L=9	1
20	21355805	THREAD GUIDE	1
21	SS5090610SP	SCREW 9/64-40 L=6	1
22	22603112	THREAD GUIDE	1
23	SS2090710TP	SCREW 9/64-40 L=7.2	1
24	40039838	THREAD GUIDE ASM.	1
25	40039839	THREAD GUIDE PLATE	-1
26	17912106	NEEDLE THREAD PRESSER PLATE	1
27	B1132521000	THREAD PRESSER PLATE SPRING	-1
28	SD0380551SL	HINGE SCREW D= 3.80 H= 5.5	1
29	SS2090710TP	SCREW 9/64-40 L=7.2	1
30	B3138512000	TAKE-UP SPRING ADJUSTING PLATE	1
31	SS7090520TP	SCREW 9/64-40 L= 4.5	1
32	21426754	SYLINDER COVER ASM.	1
33	21426705	SYLINDER COVER	1
34	NM6030003SC	NUT M3	2
35	21426903	FELT PRESSER PLATE	1
36	21426853	SYLINDER COVER FELT ASM.	-1
37	SM4030601SC	SCREW M3 X 6	2
38	TA0550604R0	RUBBER PLUG	1
39	SS5110710SP	SCREW 11/64-40 L=7	1
40	TA1250504R0	RUBBER PLUG	3
41	SS4150915SP	SCREW 15/64-28 L=9	1
42	CM301300001	SAFETY LABEL	1
43	TA1100604R0	PLUG	2
44	CM300200001	ATTENTION SEAL	1
45	22901805	GROUND MARK	1
46	SS2090520SL	SCREW 9/64-40 L=5	4
47	21426606	BED SLIDE SIDE PLATE LEFT	1
48	23100506	BED SLIDE SIDE PLATE RIGHT	1
49	21220413	BED PLATE	1
50	21221908	THOAT PLATE	1
51	SS7112810SP	SCREW 11/64-40 L=28	2
52	40090318	THROAT PLATE BASE	1
53	SS7113110SP	SCREW 1/64-40 L=30	2
54	40090323	FEED BASE SUPPORT	1
55	SM8040402TP	SCREW M4X0.7 L=4	1
56	21426051	THROAT PLATE BASE COVER ASM.	1
57	NM6030003SC	NUT M3	-2
58	21426101	THROAT PLATE BASE COVER SPRING	-1
59	21426002	THROAT PLATE BASE COVER	-1
60	SM4030401SC	SCREW M3X0.5 L=4	2
61	21425905	THROAT PLATE BASE COVER FELT	-1
62	B1116246000	WING BOLT	1
63	SD0800352SP	HINGE SCREW D= 8 H= 3.5	1
64	SM6081552TP	SCREW M8 L=15	8
65	21426507	HINGE	1
66	21426309	BED HOLDING BASE	1
67	21426408	BED HOLDING BASE PACKING	1
68	SS6111140SP	SCREW 11/64-40 L=11	1
69	WT0530002KS	TOOTHED WASHER D=5.3	1
70	10201200	RUBBER PLUG	1
71	22619100	CAP	1
72	B1105340000	THROAT PLATE	1
73	B1117246000	HOOK	1
74	B3013141H0B	WASHER	1
75	40092676	THOAT PLATE	1

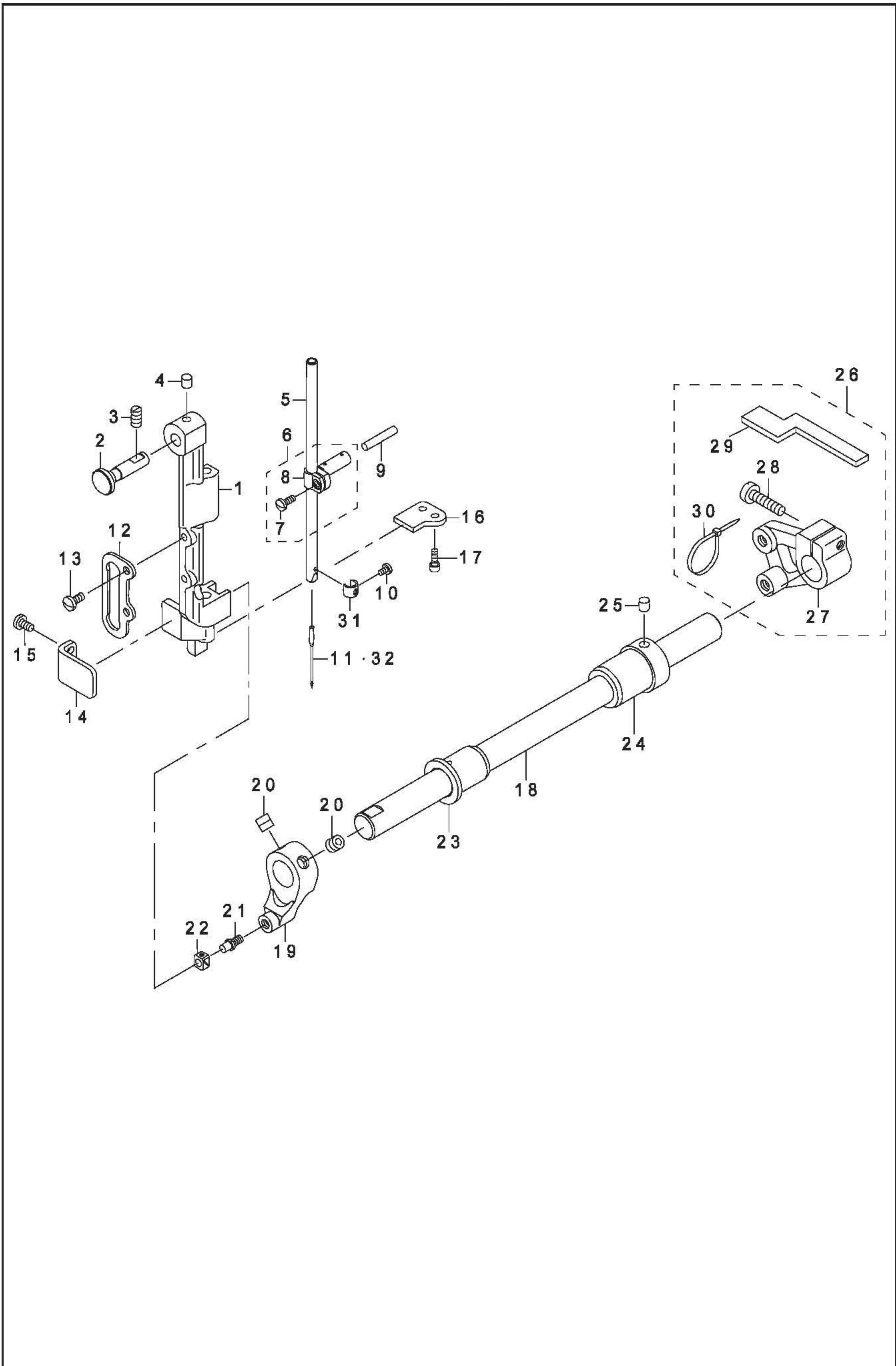
2. Upper shaft driving & balance components



2. Upper shaft driving & balance components

1	21332705	UPPER SHAFT	1
2	21333000	UPPER SHAFT FRONT METAL	1
3	21402102	THREAD TAKE-UP LEVER	1
4	22605406	TAKE-UP LEVER THRUST PIN	1
5	CQ202000000	OIL WICK	3
6	B1906051000	TAKE-UP LEVER PIN	1
7	CQ303000000	OIL WICK	2
8	SS8150822TP	SCREW 15/64-28 L=8	2
9	21339106	NEEDLE BAR CRANK ROD	1
10	B1210051000	NEEDLE BAR CRANK PIN	1
11	CQ505000000	OIL WICK	3
12	21332507	COUNTER WEIGHT (A) (36MM)	1
13	SS8150822TP	SCREW 15/64-28 L=8	2
14	SM8080812TP	SCREW M8X8	2
15	21339502	UPPER FEED CAM (3.5)	1
16	SS8660810TP	SCREW 1/4-40 L=8	2
17	21333109	UPPER SHAFT INNER METAL	1
18	CQ202000000	OIL WICK	5
19	21336557	ECCENTRIC CAM A ASM.	1
20	21336508	ECCENTRIC CAM A	1
21	SS8660810TP	SCREW 1/4-40 L=8	2
22	21353008	HORIZONTAL FEED CAM COVER	1
23	SS7110710SP	SCREW 11/64-40 L=7	2
24	22604904	UPPER SPROCKET	1
25	SS6661110SP	SCREW 1/4-40 L=11	2
26	21427109	TIMING BELT	1
27	21402300	UPPER SHAFT BEARING HOOK	1
28	SM8060602TP	SCREW M6X6	2
29	B1203512000	BUSHING REAR	1
30	21334008	FLYWHEEL	1
31	SS8150822TP	SCREW 15/64-28 L=8	2
32	21333406	BALANCER	1
33	SS8151550SP	SCREW 15/64-28 L=15	2
34	B1905053000	THREAD TAKE-UP	1
35	B1907051000	TAKE-UP LEVER THRUST PIN	1
36	SS8150710TP	SCREW 15/64-28 L=7	1
37	TA0750704R0	RUBBER PLUG	1

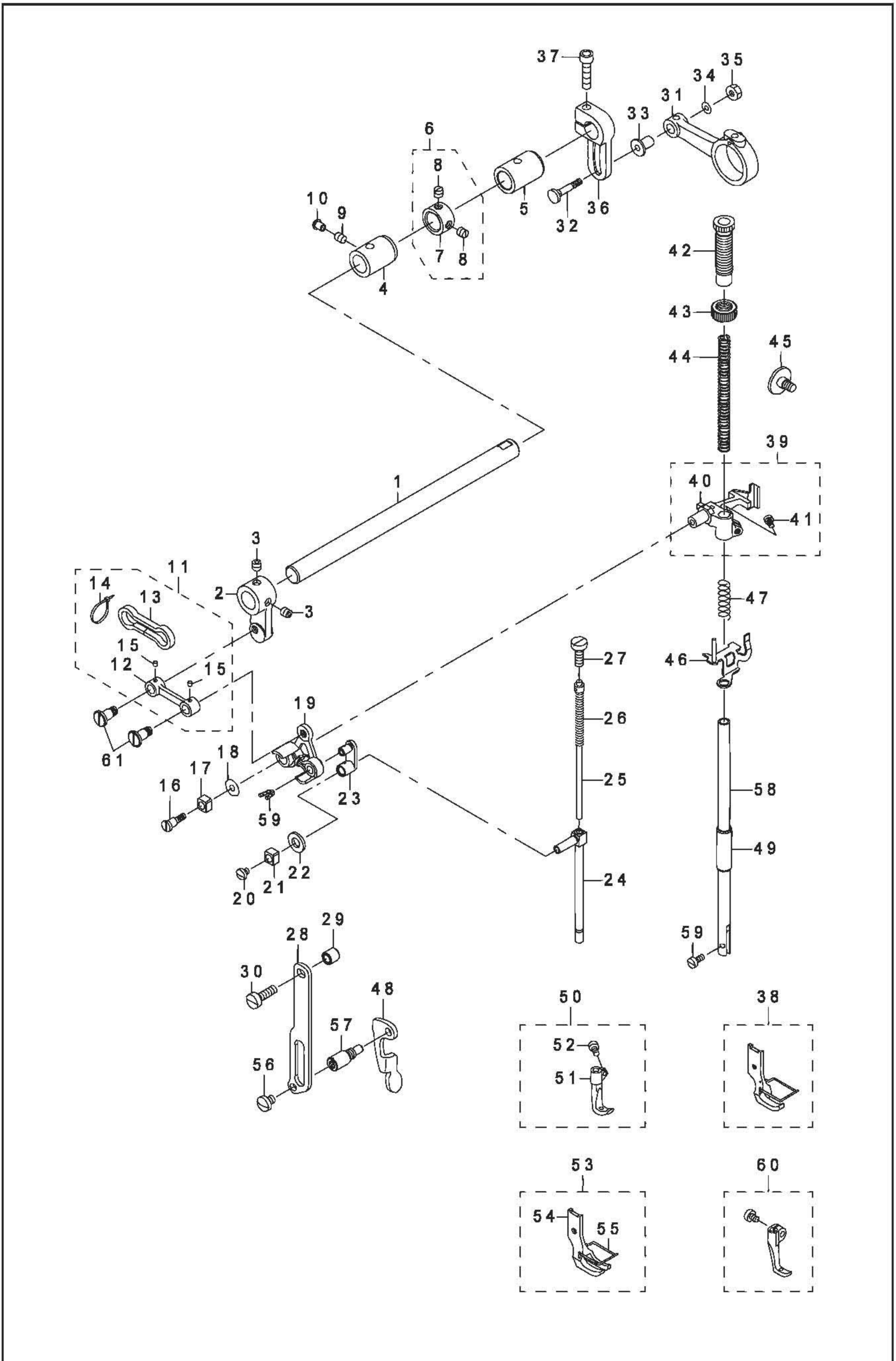
3. Needle bar rocking components



3. Needle bar rocking components

1		B1420563000	NEEDLE BAR FRAME	1
2		21405204	HINGE STUD	1
3		SS8151150TP	SCREW 15/64-28 L=10.5	1
4		22814909	FELT	1
5	*	40092246	NEEDLE BAR	1
6		B14110530A0	NEEDLE BAR CONNECTION ASM.	1
7		SS7090910SP	SCREW 9/64-40 L= 8.5	1
8		B1411053000	NEEDLE BAR CONNECTION	1
9		B1412051000	FELT	1
10		SS7080510TP	SCREW 1/8-44 L=4.5	1
11	*	M13517B1600	NEEDLE 135X17 #160	1
12		B1467563000	UPPER FEED BAR GUIDE	1
13		SS7110910TP	SCREW 11/64-40 L= 8.5	2
14		21338702	ROCKING BASE GUIDE	1
15		SS7110830SP	SCREW 11/64-40 L= 7.5	2
16		21338603	ROCKING BASE GUIDE (B)	1
17		SS6091022TP	SCREW	2
18		21338900	ROCKING SHAFT	1
19		21338801	ROCKING FRONT ARM	1
20		SM8080802TP	SCREW	2
21		B1410771000	STUD	1
22		B1414232000	SQUARE BLOCK	1
23		21339304	ROCKING SHAFT FRONT METAL	1
24		40027746	BUSHING REAR	1
25		22814909	FELT	1
26		21430053	ROCKING REAR ARM ASM.	1
27		21430004	ROCKING REAR ARM	1
28		SS6152440SP	SCREW 15/64-28 L=23.5	1
29		21430103	ROCKING REAR ARM FELT	1
30		EA9500B0100	CABLE BAND	2
31	*	21338504	NEEDLE BAR THREAD RACK	1
32	*	M13517B1400	NEEDLE 135X17 #140	1

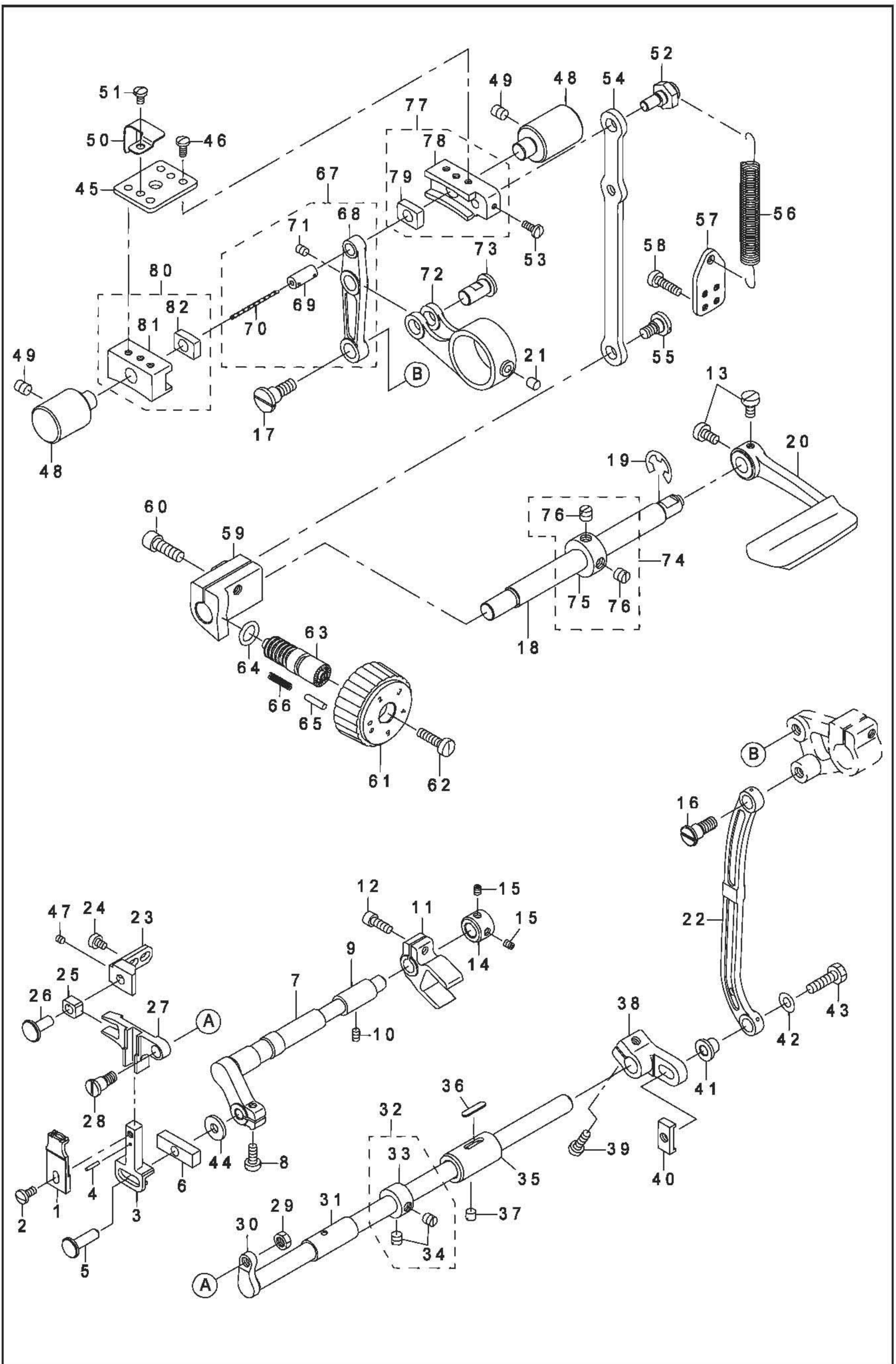
4. Upper feed mechanism components



4. Upper feed mechanism components

1	21340401	UPPER FEED SHAFT	1
2	21340500	UPPER FEED FRONT ARM	1
3	SS8660612TP	SCREW 1/4-40 L=6	2
4	40039326	FRONT METAL	1
5	21378302	FEED SHAFT METAL	1
6	22904155	MAIN SHAFT THRUST COLLAR ASM.	1
7	22904106	MAIN SHAFT THRUST COLLAR	1
8	SS8660610TP	SCREW 1/4-40 L=6	2
9	SS8150710SP	SCREW 15/64-28 L=7	1
10	TA0550604R0	RUBBER PLUG	1
11	40033027	UPPER FEED LINK ASM.	1
12	40033026	UPPER FEED LINK	1
13	21347109	FELT	1
14	EA9500B0000	CLIP CV-70S	2
15	CQ3000000F0	OIL FELT	2
16	40018339	SCREW	1
17	B1414555000	SLIDE BLOCK	1
18	WP0501046SC	WASHER 5 X 13 X 1	1
19	40033029	TRIANGULAR LEVER ASM.	1
20	SS7110510SP	SCREW 11/64-40 L=5	1
21	B1414555000	SLIDE BLOCK	1
22	10509701	FELT	1
23	40018341	WALKING BAR DRIVING LINK	1
24	40033030	WALKING BAR A	1
25	B14670530A0	WALKING BAR ASM.	1
26	B1468053000	WALKING BAR SPRING	1
27	SS6151780SP	SCREW 15/64-28 L=17.0	1
28	21406509	UPPER FEED GUIDE PLATE	1
29	26225201	ROLLER	1
30	SS6151920SP	SCREW 15/64-28 L=19.0	1
31	21340104	UPPER FEED ROD	1
32	D1456055B00	HINGE SCREW	1
33	D1455055B00	CONNECTING STUD	1
34	WP0482086SD	WASHER 4.8X11.5X2	1
35	NS6110530SP	NUT 11/64-40	1
36	21437900	UPPER FEED REAR ARM	1
37	SM6062502TP	SCREW M6 L=25	1
38	B1525563DA0	PRESSER FOOT ASM.	1
39	40033032	PRESSER BAR HOLDER A ASM.	1
40	40033031	PRESSER BAR HOLDER A	1
41	SS7110910TP	SCREW 11/64-40 L= 8.5	1
42	21340906	PRESSER ADJUSTING SCREW	1
43	22907604	PRESSER SPRING REGULATOR NUT	1
44	B1502246000	PRESSER SPRING	1
45	SD0800481SP	HINGE SCREW D= 8 H= 4.9	1
46	21341151	THREAD RELEASE HOLDING PLATE	1
47	B1462053000	THREAD RELEASE SPRING	1
48	21406103	PRESSER LIFTER LEVER	1
49	B1510155000	PRESSER BAR LOWER BUSHING	1
50	B1470241HA0	WALKING FOOT ASM.	1
51	B1470241H00	WALKING FOOT	1
52	B1471241H00	SCREW	1
53	B1525241HA0	PRESSER FOOT ASM.	1
54	B1525241H00	PRESSER FOOT	1
55	10337905	FINGER GUARD	1
56	SS7150740SP	SCREW 15/64-28 L=7	1
57	21406608	GUIDE PLATE SPACER	1
58	B1501241H00	PRESSER BAR	1
59	SS6090910TP	SCREW 9/64-40 L=9	1
60	B14700530A0	WALKING FOOT ASM.	1
61	40018340	SCREW	2

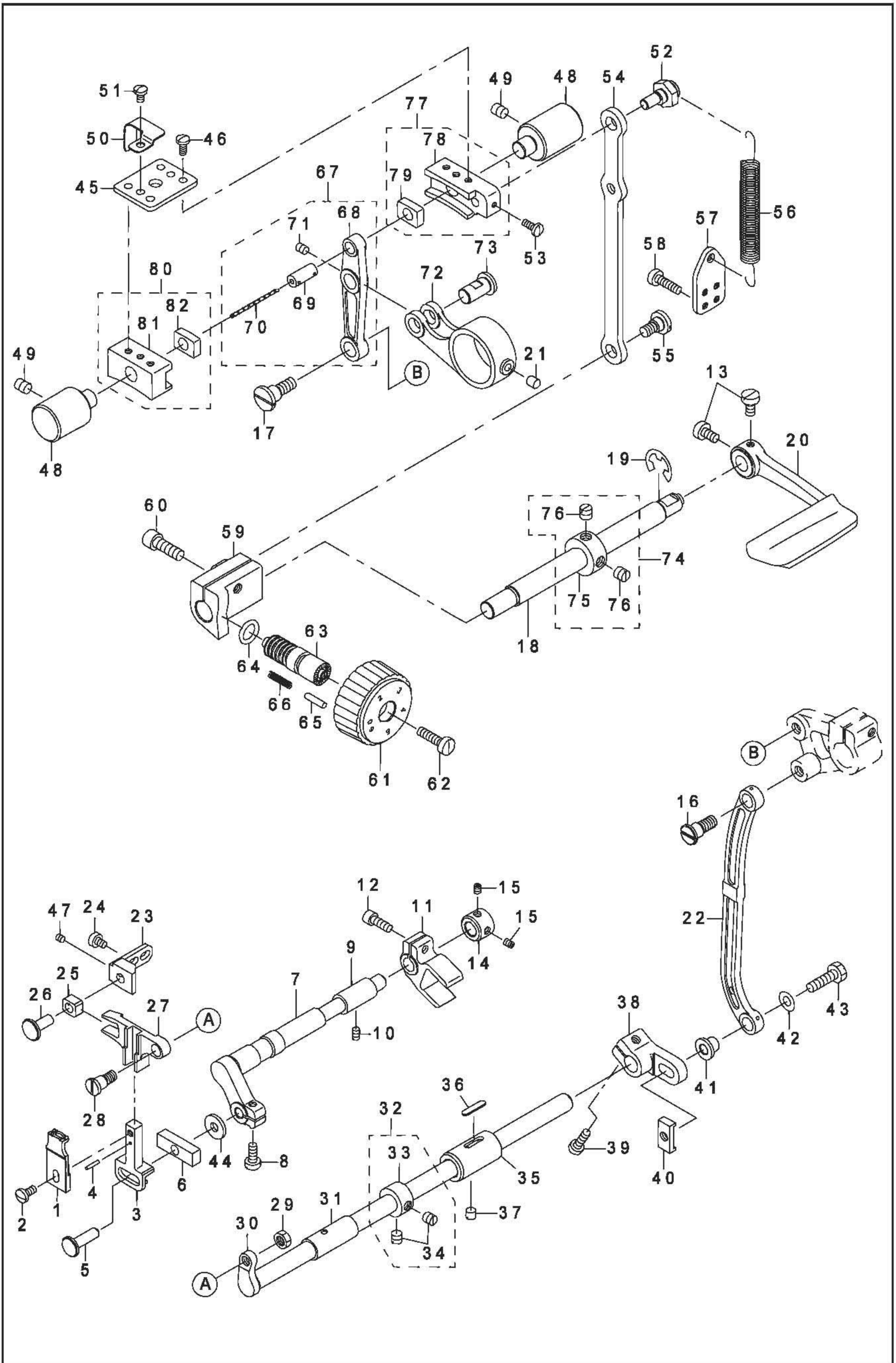
5. Feed mechanism components(1)



5. Feed mechanism components(1)

1	21435003	FEED DOG	1
2	SS7110840SP	SCREW 11/64-40 L=7.8	1
3	40091243	FEED BASE	1
4	PS0200102KH	SPRING PIN 2.0 X 10	1
5	40091250	FEED BASE PIN	1
6	40091254	FEED BASE SQUARE BLOCK	1
7	21429006	VERTICAL FEED SHAFT	1
8	SS6121220TP	SCREW 3/16-28 L=11.5	1
9	40091315	VERTICAL FEED SHAFT METAL	1
10	SS8110710SP	SCREW 11/64-40 L=6.5	1
11	21429808	VERTICAL FEED BRANCH	1
12	SM6051402TP	SCREW M5X0.8 L=14	1
13	SS6120930TP	SCREW 3/16-28 L=9	2
14	21429709	VERTICAL FEED THRUST COLLAR	1
15	SM8050402TP	SCREW	2
16	SD0900701TP	HINGE SCREW D= 9 H= 7	1
17	SD1000801SH	HINGE SCREW D=10 H=8	1
18	21336300	BACKWARD FEED LEVER SHAFT	1
19	RE0900000K0	E-RING 9	1
20	21388004	REVERSE FEED ROCK SHAFT	1
21	21387402	HORIZONTAL FEED ROD OIL FELT	1
22	10205201	NEEDLE BAR FRAME ROD	1
23	40091248	HORIZONTAL FEED BASE SUPPORT	1
24	SS6110610TP	SCREW 11/64-40 L=6	2
25	40091244	SQUARE BLOCK	1
26	40091245	HORIZONTAL FEED BASE SUPPORT PIN	1
27	40091242	HORIZONTAL FEED BASE	1
28	SD0790701SP	HINGE SCREW D=7.94 H=7	1
29	NS6660430SP	NUT 1/4-40	1
30	21427604	HORIZONTAL FEED SHAFT	1
31	B1607246000	BUSHING FRONT	1
32	CS111101CSH	THRUST COLLAR ASM. D=11.11 W=10	1
33	CS1111019SH	THRUST COLLAR D=11.11 W=10	
34	SS8660610TP	SCREW 1/4-40 L=6	2
35	21427703	HORIZONTAL FEED SHAFT D	1
36	B1806038000	OIL FELT	1
37	SS8150510TP	SCREW 15/64-28 L= 4.7	1
38	21428305	HORIZONTAL FEED ARM	1
39	SS6121610TP	SCREW 3/16-28 L=15.5	1
40	21428503	HORIZONTAL FEED ARM STOPPER	1
41	21428404	HORIZONTAL FEED ARM ROD	1
42	WP0621016SH	WASHER	1
43	SS9152130CP	SCREW 15/64-28 L=20.5	1
44	40090727	WASHER	1
45	21407408	FITTING PLATE	2
46	SS7110910TP	SCREW 11/64-40 L= 8.5	4
47	SS8110422TP	SCREW 11/64-40 L=4	2
48	21337803	FEED ADJUSTING BASE SUPPORT	2
49	SS8150822TP	SCREW 15/64-28 L=8	2
50	40038712	FELT HOLDER	1
51	SS7110710SP	SCREW 11/64-40 L=7	2

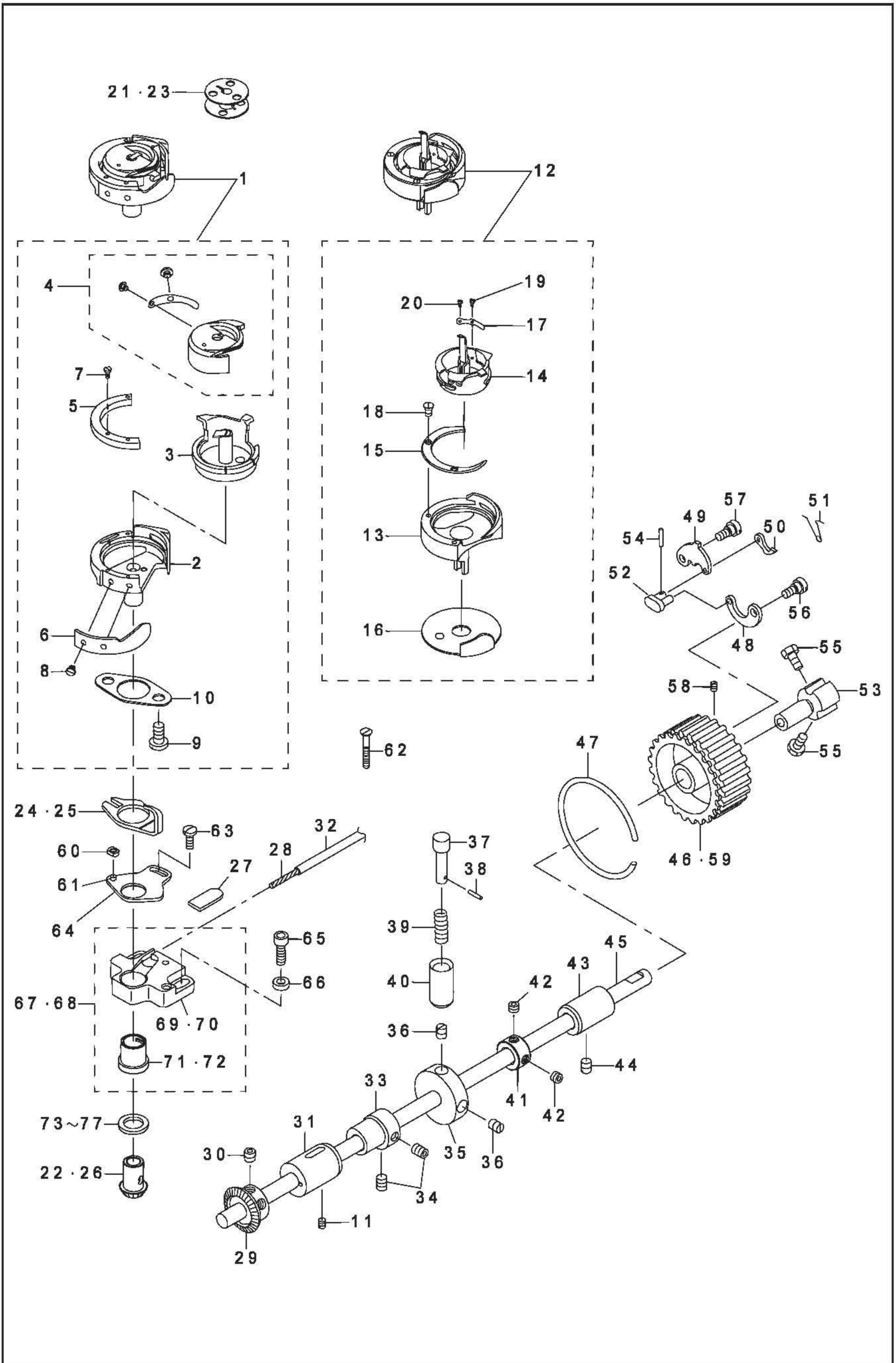
6. Feed mechanism components(2)



6. Feed mechanism components(2)

52	21337902	ECCENTRIC PIN	1
53	SS7090910TP	SCREW 9/64-40 L= 8.5	2
54	21337308	FEED ADJUSTING ROD	1
55	SD0800402TP	HINGE SCREW D= 8 H=4	1
56	21337605	SPRING	1
57	40019926	SPRING HOOK	1
58	SS6111610SP	SCREW 11/64-40 L=16	2
59	21430202	FEED ADJUSTING	1
60	SM6061802TP	SCREW M6 L=18	1
61	21430301	FEED ADJUSTING DIAL	1
62	SS6121860SP	SCREW 3/16-28 L=18	1
63	22911804	FEED REGULATOR SCREW	1
64	RO092270200	RUBBER RING	1
65	22912000	FEED REGULATOR PIN	1
66	22912109	FEED REGULATOR PIN SPRING	1
67	21336656	FEED LINK ASM.	1
68	21336607	FEED LINK	1
69	B1418761000	CONNECTING FORKED LINK PIN	1
70	CQ202000000	OIL WICK	4
71	SM8050612TP	SCREW M5X6	1
72	21336706	FEED ROD A	1
73	21338207	FEED LINK PIN	1
74	CS1201010SH	THRUST COLLAR ASM. D=12 W=10	1
75	CS1201011SH	THRUST COLLAR D=12 W=10	1
76	SS8660610TP	SCREW 1/4-40 L=6	2
77	40081970	FEED ADJUSTING BASE	1
78	21407200	FEED ADJUSTING BASE	1
79	21407309	SQUARE BLOCK	1
80	40081969	FEED ADJUSTING BASE B SET	1
81	40038711	FEED ADJUSTING BASE B	1
82	21407309	SQUARE BLOCK	1

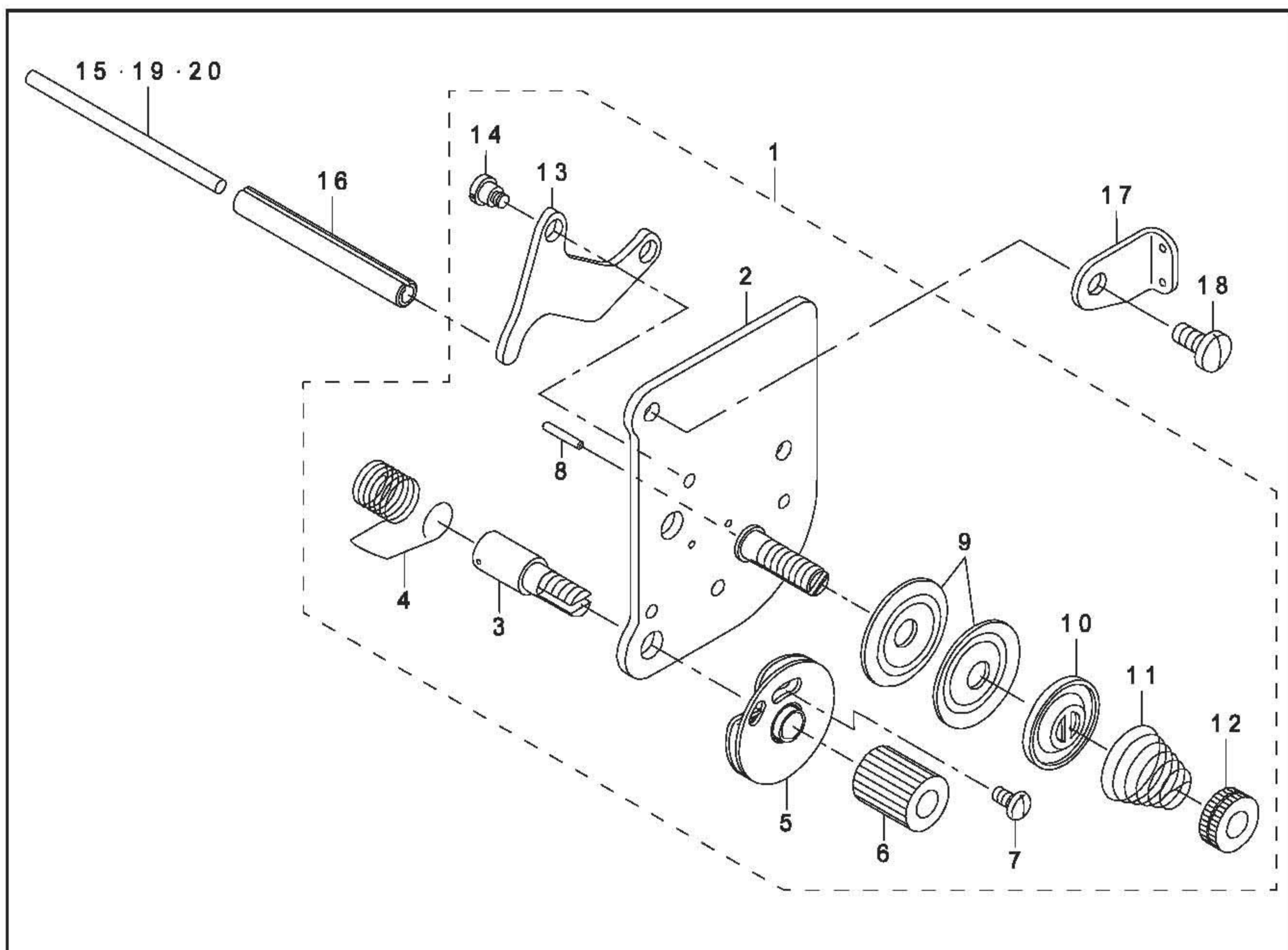
7. Hook shaft & lower shaft components



7. Hook shaft & lower shaft components

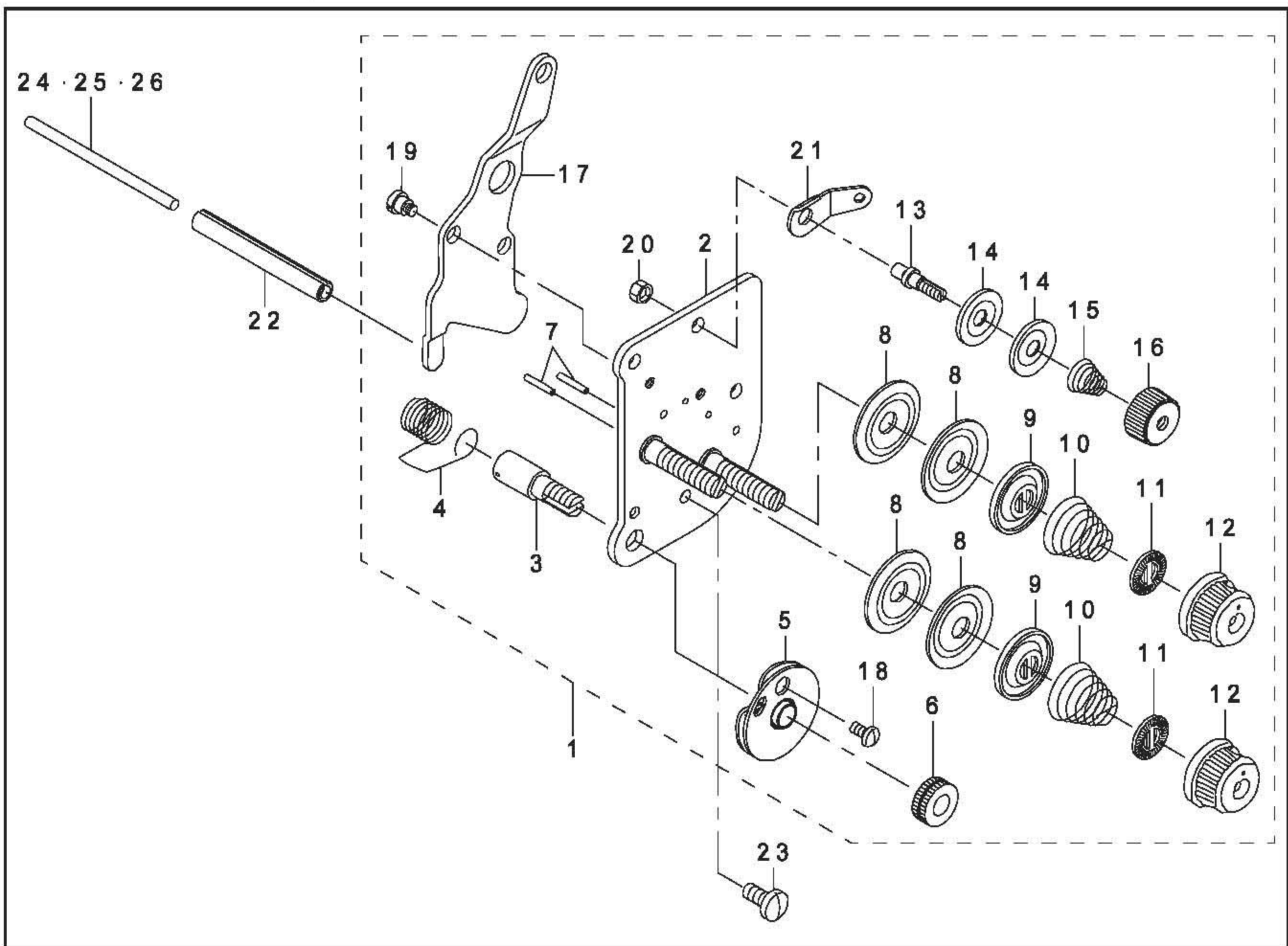
1	21229752	HOOK ASM.	1
2	21229703	HOOK	1
3	21228101	INNER HOOK	1
4	21229307	CAP	1
5	21228200	INNER HOOK PRESSER	1
6	21229802	NEEDLE GUARD	1
7	21228903	SCREW FOR INNER HOOK PRESSER	3
8	21229901	SCREW	2
9	21229208	BACK PLATE SETSCREW	2
10	21229406	BACK PLATE	1
11	SS8110520TP	SCREW 11/64-40 L= 4.5	1
12	B18013400A0	HOOK ASM.	1
13	B1801340000	HOOK	1
14	B1802340000	INNER HOOK	1
15	B1803340000	INNER HOOK PRESSER	1
16	B1804340000	NEEDLE GUARD	1
17	B1805340000	TENSION SPRING	1
18	B1806340000	INNER HOOK PRESSER SETSCREW	2
19	B1807340000	TENSION SCREW	1
20	B1808340000	TENSION SPRING SETSCREW	1
21	B9117201000	BOBBIN	1
22	21227301	HOOK SHAFT GEAR	1
23	B9117051000	BOBBIN	1
24	21227400	INNER HOOK GUIDE	1
25	B1810340000	BOBBIN CASE OPENING LEVER	1
26	B1814340000	HOOK SHAFT GEAR	1
27	21431200	HOOK SHAFT LUBRICATION FELT	1
28	CQ202000000	OIL WICK	5
29	B1836246000A	LOWER SHAFT BEVEL GEAR	1
30	SS8660612TP	SCREW 1/4-40 L=6	3
31	B1803246000	BUSHING INTERMEDIATE	1
32	BT0500300EA	OIL TUBE	0.05
33	40092359	FEED VERTICAL TRIANGULAR CAM	1
34	SS8150822TP	SCREW 15/64-28 L=8	2
35	B1301340000	SAFETY CLUTCH DISK	1
36	SS8150710SP	SCREW 15/64-28 L=7	2
37	21223409	SAFETY CLUTCH PUSH BUTTON	1
38	PS0200102KH	SPRING PIN 2.0 X 10	1
39	B1639051000	SPRING	1
40	21223508	PUSH BUTTON CYLINDER	1
41	23102700	LOWER SHAFT THRUST HOLDER	1
42	SS8150432TH	SCREW 15/64-28 L=4	2
43	21427307	LOWER SHAFT METAL REAR	1
44	SS8150710TP	SCREW 15/64-28 L=7	1
45	21427208	LOWER SHAFT	1
46	21333505	LOWER SPROCKET	1
47	B1214019000	SPROCKET RING	1
48	B1305055000A	SAFETY CLUTCH SPRING	1
49	B1307055000	SAFETY CLUTCH HOOK	1
50	B1308055000	SAFETY CLUTCH COUNTER-HOOK	1
51	B1309055000	COUNTER-HOOK SPRING	1
52	B1310055000	SAFETY CLUTCH SMALL LINK	1
53	10503605	SAFETY BASE	1
54	B1314055000	SAFETY CLUTCH SMALL LINK PIN	1
55	SS6661110SP	SCREW 1/4-40 L=11	2
56	SD0640322TP	HINGE SCREW D= 6.35 H= 3.2	1
57	SD0640322TP	HINGE SCREW D= 6.35 H= 3.2	1
58	SS8090540SP	SCREW 9/64-40 L=5	1
59	21441605	LOWER SPROCKET	1
60	B1827246000	SLIDE BLOCK	1
61	B1826246000	SLIDE BLOCK PIN	1
62	SS1092810SP	SCREW 9/64-40 L=25.4	1
63	SS7091110TP	SCREW 9/64-40 L=10.5	1
64	21231204	ADJUSTING PLATE	1
65	SM6051552TP	SCREW M5 L=15	2
66	40090530	WASHER	2
67	40029253	HOOK SHAFT BASE ASM.	1
68	40091907	HOOK SHAFT BASE ASM.	1
69	40029250	HOOK SHAFT BASE	1
70	40091897	HOOK SHAFT BASE	1
71	40029246	HOOK SHAFT METAL	1
72	40029247	HOOK SHAFT METAL	1
73	B1820246000	WASHER	1
74	B182024600A	WASHER A	1
75	B182024600B	WASHER B	1
76	B182024600C	WASHER C	1
77	B182024600D	WASHER	1

8. Thread tension components



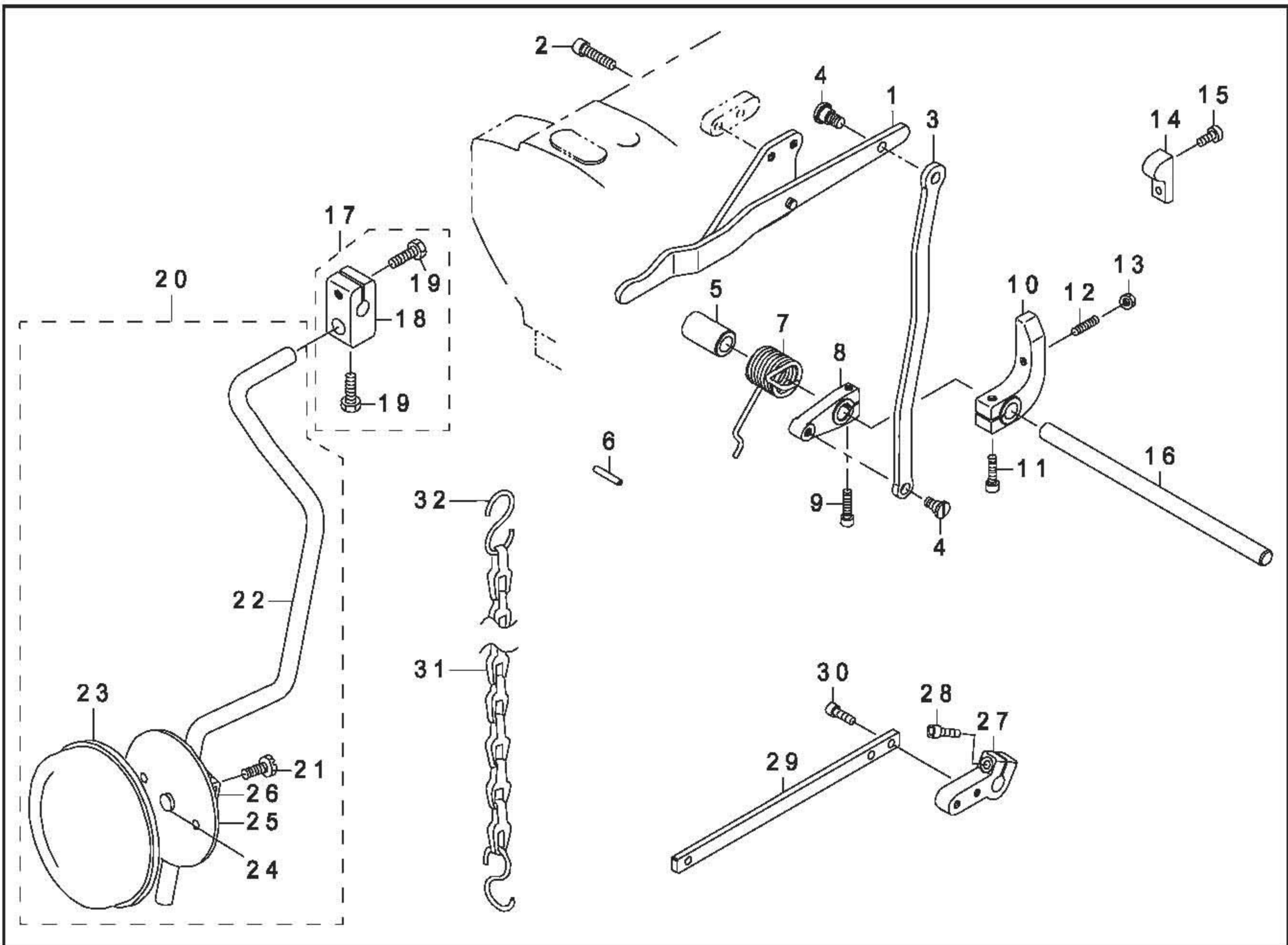
1	21409065	THREAD TENSION ASM.	1
2	21409057	THREAD POST BASE COMPL.	1
3	10320109	SCREW STUD	1
4	B3128520000	TENSION SPRING	1
5	B31370510A0	TAKE-UP SPRING GUIDE DISC ASM.	1
6	10320208	THRED TENSION STUD NUT	1
7	SS4080610SP	SCREW 1/8-44 L=6.4	1
8	B3127051000	TENSION RELEASE PIN SHORT	1
9	B3126012000	THREAD TENSION DISK	2
10	22617906	THREAD TENSION DISK PRESSER	1
11	B3129053000	TENSION SPRING	1
12	B3125012000	THREAD TENSION NUT	1
13	B3134521000	TENSION RELEASE LEVER	1
14	SD0470281SP	HINGE SCREW D=4.7 H=2.8	2
15	23006406	TENSION RELEASE BAR	1
16	PS0600502KP	SPRING PIN	1
17	21409909	GUIDE PLATE	1
18	SS7110910TP	SCREW 11/64-40 L= 8.5	2
19	21348206	TENSION RELEASE BAR	1
20	10321107	TENSION RELEASE BAR	1

9. Thread tension components



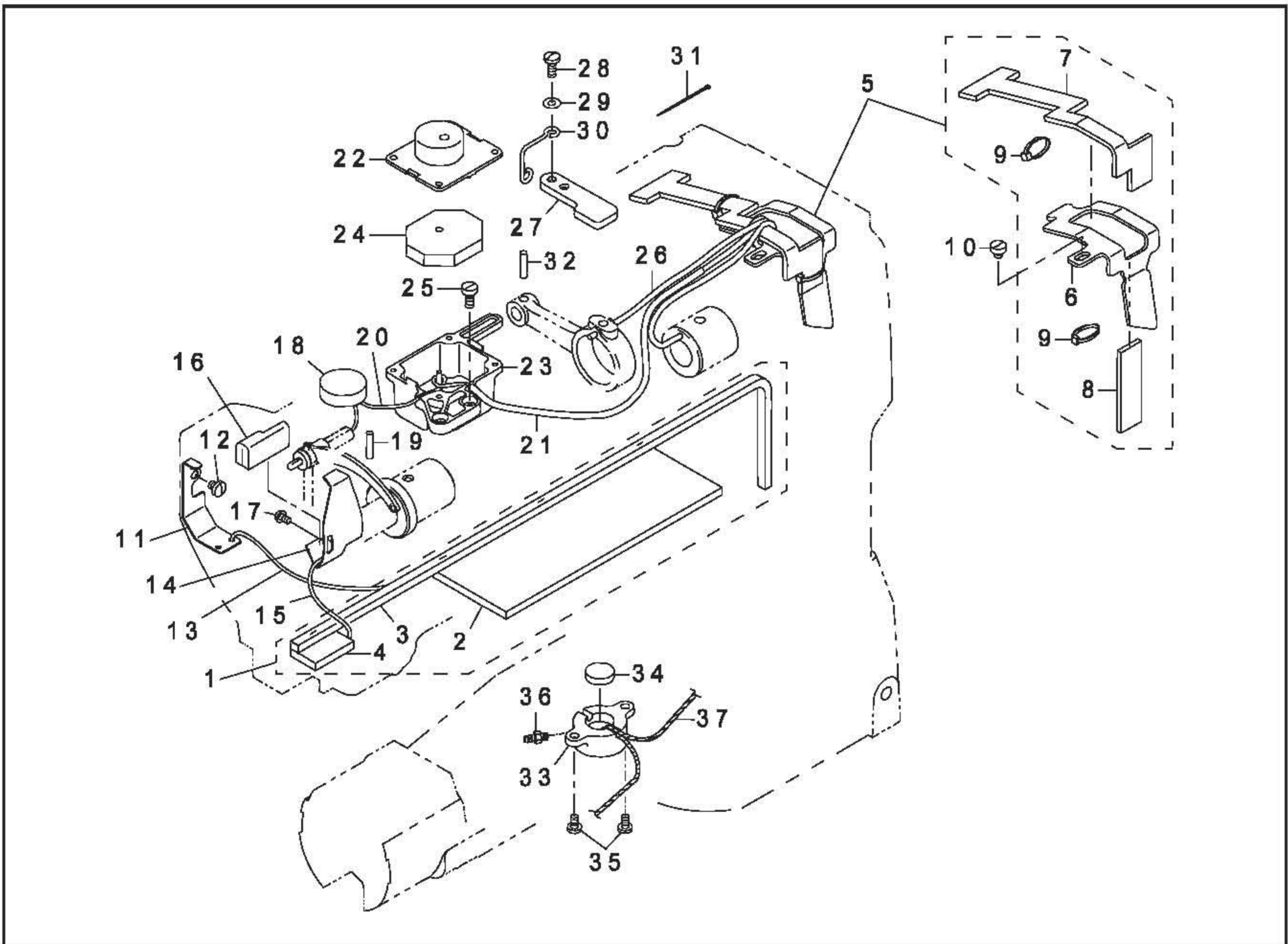
1	21441068	THREAD TENSION ASM.	1
2	21441050	TENSION POST COMPL.	1
3	10320109	SCREW STUD	1
4	B3128520000	TENSION SPRING	1
5	B31370510A0	TAKE-UP SPRING GUIDE DISC ASM.	1
6	B3125012000	THREAD TENSION NUT	1
7	22618201	TENSION RELEASE PIN A	2
8	B3126012000	THREAD TENSION DISK	4
9	22617906	THREAD TENSION DISK PRESSER	2
10	B3129526000	TENSION SPRING (1. 2)	2
11	B3120125000	ROTATING STOPPER	2
12	11956802	THREAD TENSION KNOB BLUE	2
13	10124204	THREAD TENSION POST A	1
14	10741106	FIRST THREAD TENSION PLATE	2
15	11045101	THREAD TENSION SPRING	1
16	11072402	THREAD TENSION NUT	1
17	21441100	TENSION RELEASE PLATE	1
18	SS4080620TP	SCREW 1/8-44 L=6	1
19	SD0470281SP	HINGE SCREW D=4.7 H=2.8	2
20	NS6110310SP	NUT 11/64-40	1
21	D3162555B00	THREAD GUIDE	1
22	PS0600502KP	SPRING PIN	1
23	SS7110910TP	SCREW 11/64-40 L= 8.5	2
24	21348206	TENSION RELEASE BAR	1
25	10321107	TENSION RELEASE BAR	1
26	23006406	TENSION RELEASE BAR	1

10. Knee lifting components



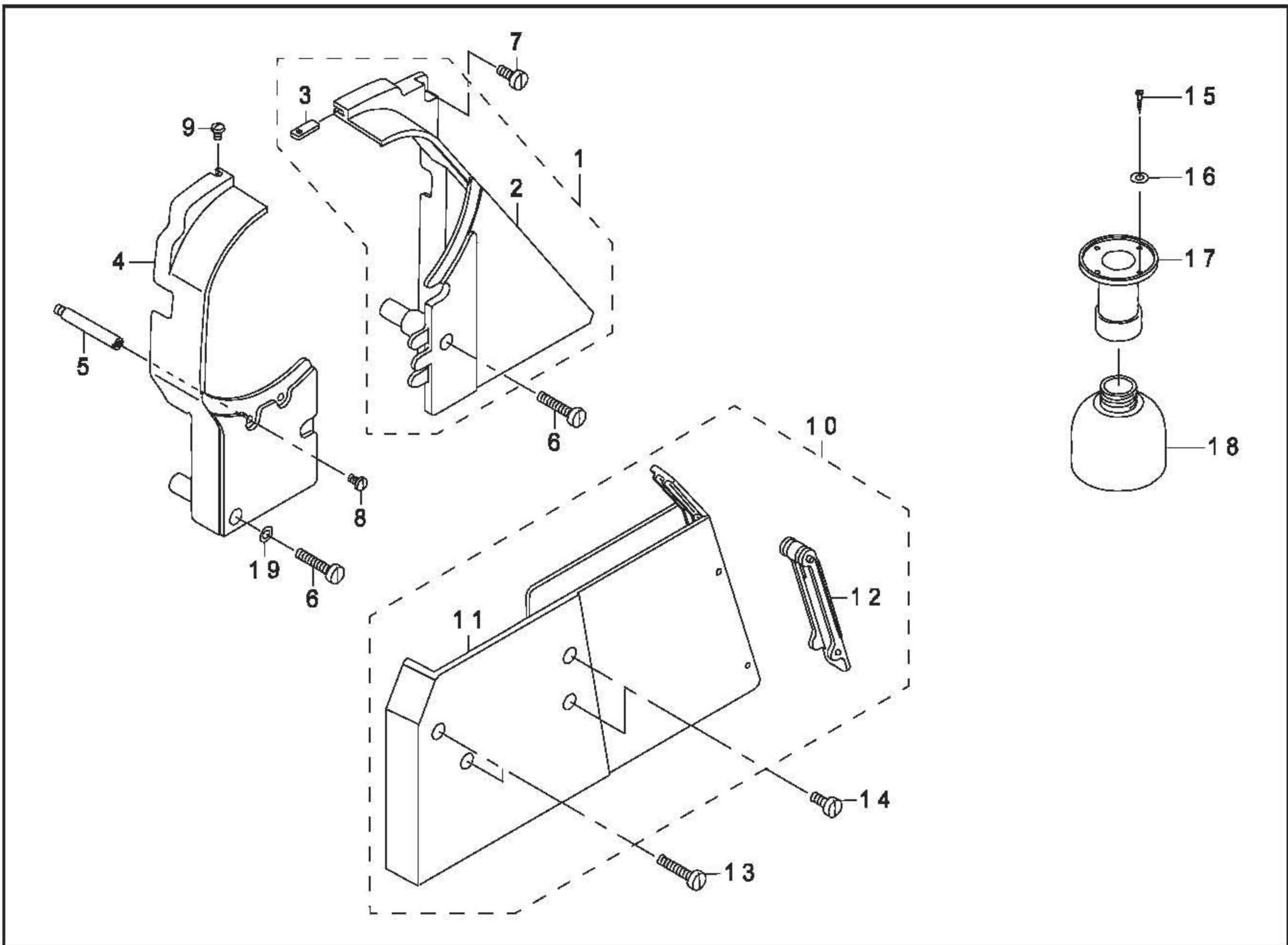
1	21432851	KNEE LIFTER LEVER ASM.	1
2	SM6062502TP	SCREW M6 L=25	2
3	21432703	KNEE LIFTER CONNECTING PLATE	1
4	SD0790451SP	HINGE SCREW D= 7.94 H= 4.5	2
5	21433008	KNEE LIFTER CONNECTING PLATE	1
6	PS0400222K0	SPRING PIN	1
7	21433107	KNEE LIFTER SPRING	1
8	21405709	KNEE LIFTER ARM	1
9	SM6052002TP	SCREW M5 L=20	1
10	21432604	KNEE LIFTER STOPPER ARM	1
11	SM6052002TP	SCREW M5 L=20	1
12	SM8052502TP	SCREW M5X0.8 L=25	1
13	NM6050001SD	NUT M5X0.8	1
14	21433206	STOPPER ARM	1
15	SS6121210SP	SCREW 3/16-28 L=12	2
16	21432505	KNEE LIFTER SHAFT	1
17	22932453	BRACKET ASM.	1
18	22932404	BRACKET	1
19	22934707	SCREW	2
20	21433354	KNEE PRESS PLATE ASM.	1
21	SM9061203SE	SCREW M6 L=12	1
22	21433305	KNEE PRESS LEVER	1
23	22934509	KNEE PAD PLATE COVER	1
24	22934400	KNEE PAD PLATE RUBBER	1
25	22934202	KNEE PAD PLATE	1
26	22934301	KNEE PAD PLATE SUPPORT	1
27	21433404	PRESSER LIFTER ARM	1
28	SM6051602TP	SCREW M5X0.8 L=16	1
29	21433503	PRESSER LIFTER PLATE	1
30	SM6051552TP	SCREW M5 L=15	2
31	B8131019000	CHAIN	1
32	13160304	S SHAPED HOOK	2

11. Lubrication components



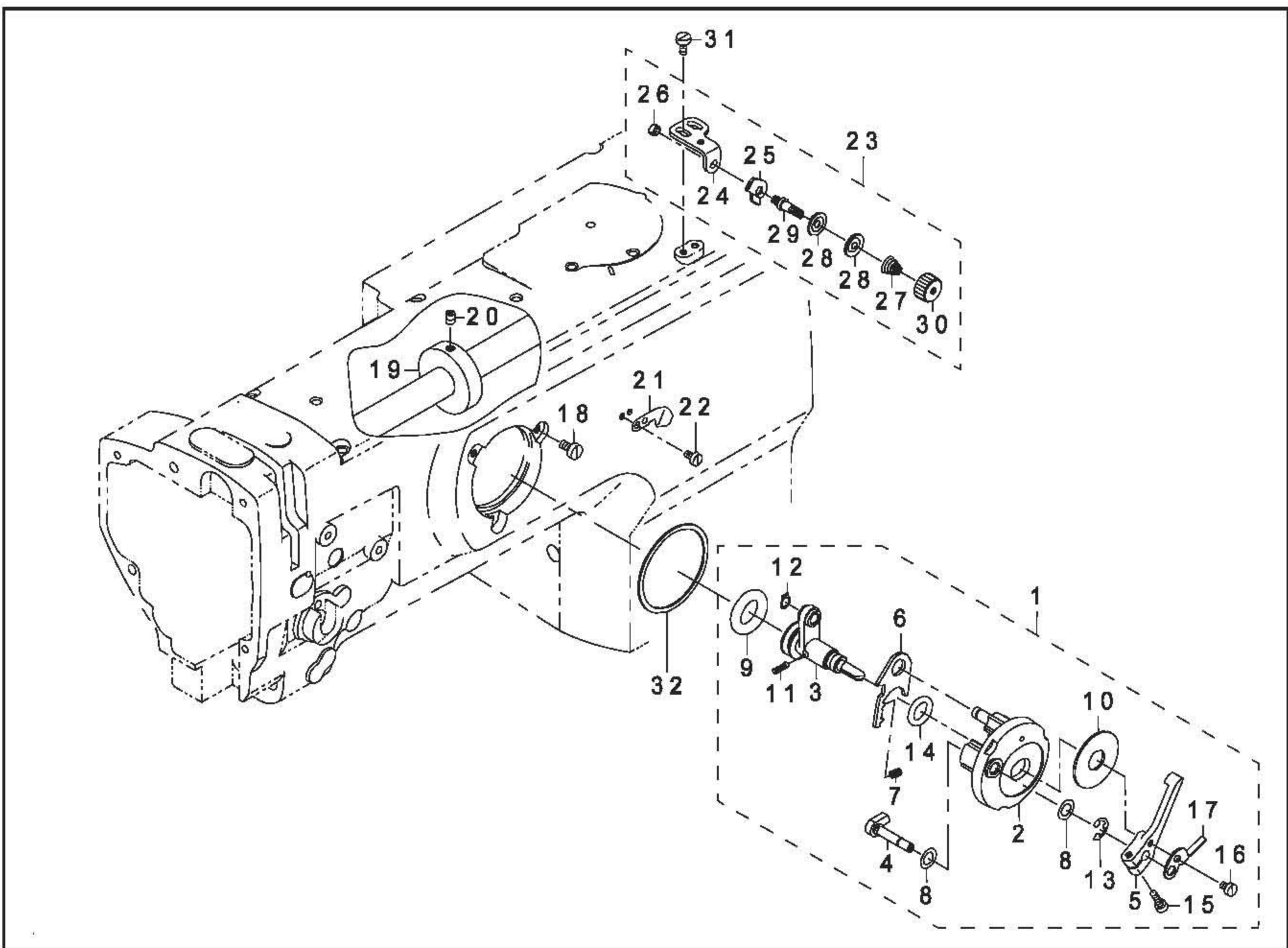
1	21345756	ARM ONCE THROUGH OIL FELT ASM.	1
2	21345707	ARM ONCE THROUGH FELT A	1
3	21345806	FELT B	1
4	21345905	FACE ONCE THROUGH FELT	1
5	21346358	FELT SUPPORT ASM.	1
6	21346309	FELT	1
7	21346507	FEED CHANGE FELT	1
8	21346408	FELT	1
9	EA9500B0000	CLIP CV-70S	2
10	SS6110480SP	SCREW 11/64-40 L=4.3	1
11	21340708	UPPER FEED OIL BAR PLATE	1
12	SS7110510SP	SCREW 11/64-40 L=5	1
13	CQ202000000	OIL WICK	2
14	21347000	TAKE-UP OIL PLATE	1
15	CQ202000000	OIL WICK	5
16	21347208	TAKE-UP LUBRICATION FELT	1
17	SS3090610SP	SCREW 9/64-40 L=6	1
18	21346002	FELT	1
19	B1412051000	FELT	1
20	CQ252000000	OIL WICK	3
21	BT0500300EA	OIL TUBE	0.25
22	21407507	OIL TANK A	1
23	21407606	OIL TANK B	1
24	21407705	FELT	2
25	SS6111010SP	SCREW 11/64-40 L= 9.5	2
26	CQ202000000	OIL WICK	2
27	21339700	UPPER FEED STOPPER PLATE (B)	1
28	SS7111120TP	SCREW	2
29	WP0450801SD	WASHER 4.5X10X0.8	1
30	22620504	OIL WICK HOLDER	1
31	EA9500B0000	CLIP CV-70S	1
32	PS0500202KP	SPRING PIN 5X20	1
33	21433800	OIL TANK	1
34	B1203051000	OIL FELT	1
35	SS7110710SP	SCREW 11/64-40 L=7	2
36	SQ1110401MZ	CONNECTING SCREW	1
37	CQ202000000	OIL WICK	4
38	B1140051000	TAKE-UP OIL SPLASHER	1

12. Belt cover



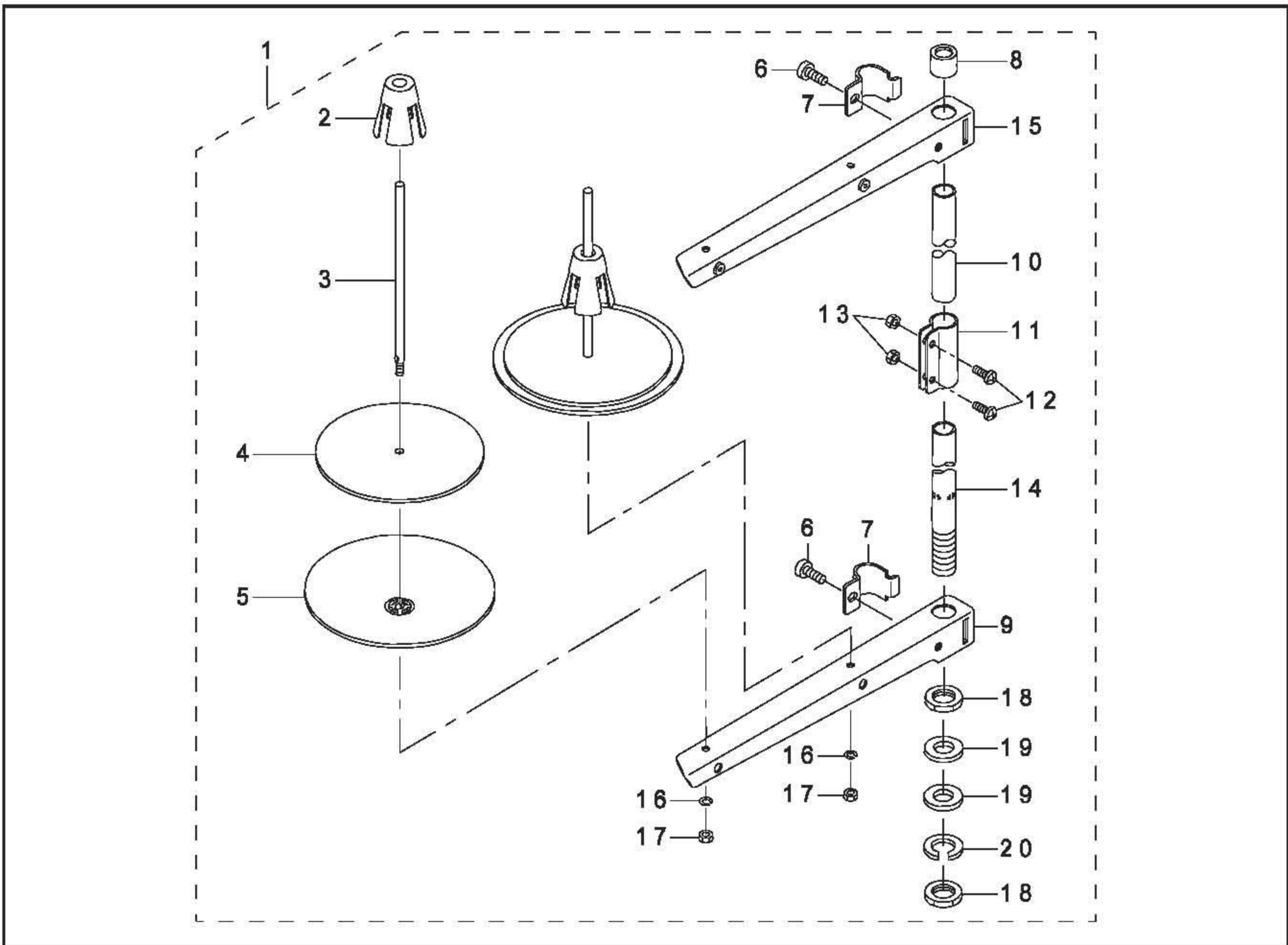
1	21351150	BELT COVER ASM. (RIGHT)	1
2	21351101	BELT COVER (RIGHT)	1
3	21351002	BELT COVER AUXILIARY PLATE	1
4	21351200	BELT COVER (LEFT)	1
5	D8232241E00	BELT COVER SUPPORT A	1
6	SS6153040SP	SCREW 15/64-28 L=30	2
7	SS6151440SP	SCREW 15/64-28 L=14	1
8	SS7110840SP	SCREW 11/64-40 L=7.8	1
9	SS5110740TP	SCREW 11/64-40 L= 6.5	1
10	21434451	BELT COVER ASM. LOWER	1
11	21434402	BELT COVER LOWER	1
12	21434501	BELT COVER COVER	1
13	SS6153040SP	SCREW 15/64-28 L=30	2
14	SS6151440SP	SCREW 15/64-28 L=14	2
15	SK3241601SC	WOOD SCREW D=2.4 L=16	4
16	WP0320501SC	WASHER M3	4
17	B8202205000	OIL MANAGEMENT	1
18	40025300	OIL POT	1
19	WP0612076SP	WASHER 6.1X11X2	1

13. Lower thread winder mechanism components



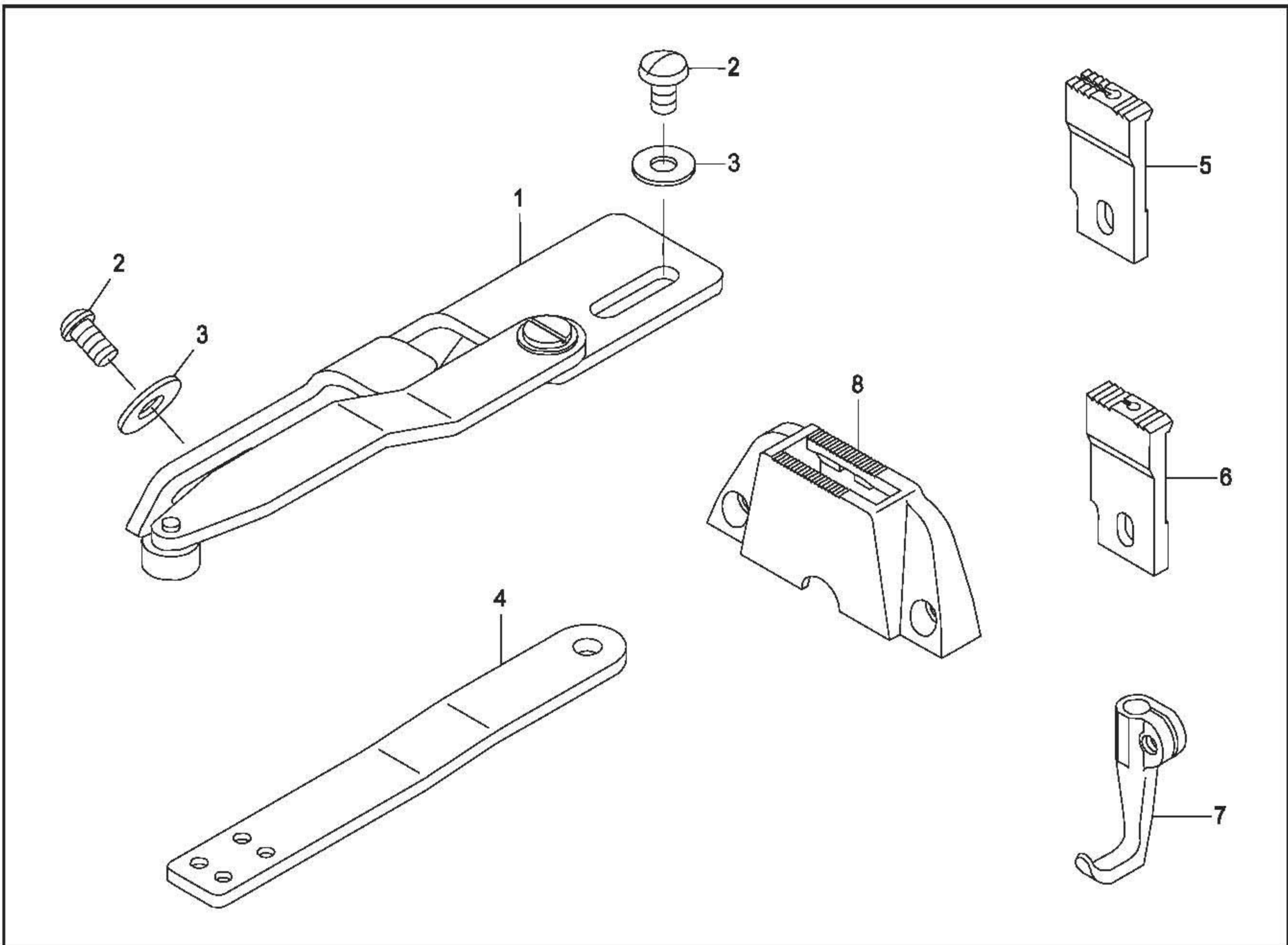
1	21357967	BOBBIN DEVICE ASM.	1
2	22537658	BOBBIN FITTING BASIS COMPL.	1
3	21357959	BOBIN SHAFT COMPL.	1
4	22538151	BOBBIN CAM SHAFT COMPL.	1
5	23636202	BOBBIN LEVER	1
6	21356001	ADJUSTING PLATE	1
7	B152989000CA	PRESSUR FOOT SPRING	1
8	10618304	VERTICAL ROLLER WASHER	2
9	21358205	BOBBIN FRICTION GEAR	1
10	B3205210000	CUSHION	1
11	B1148555000	SPRING	1
12	RC0560711KP	RETAINING RING	1
13	RE0500000K0	E-RING	1
14	RO092270200	RUBBER RING	1
15	SS7091410SP	SCREW 9/64-40 L=13.5	1
16	SS6090520SP	SCREW 9/64-40 L= 5.0	1
17	14512503	BOBBIN ADJUSTING PLATE	1
18	SS6110810TP	SCREW 11/64-40 L=8	3
19	10704807	BOBBIN FRICTION WHEEL	1
20	SM8050602TP	SCREW M5 L=6	2
21	10502300	THREAD CUTTER	1
22	SS6090620TP	SCREW	1
23	21355755	LOWER THREAD GUIDE ASM.	1
24	21355706	FITTING BASE	1
25	D3162555B00	THREAD GUIDE	1
26	NS6110310SP	NUT 11/64-40	1
27	D3168555HOB	TENSION SPRING NO. 1	1
28	B3214047000	BOBBIN WINDER TENSION DISC	2
29	21378708	THREAD TENSION POST	1
30	11072402	THREAD TENSION NUT	1
31	SM6040800SP	SCREW	2
32	22538706	PACKING	1

14.Thread stand components



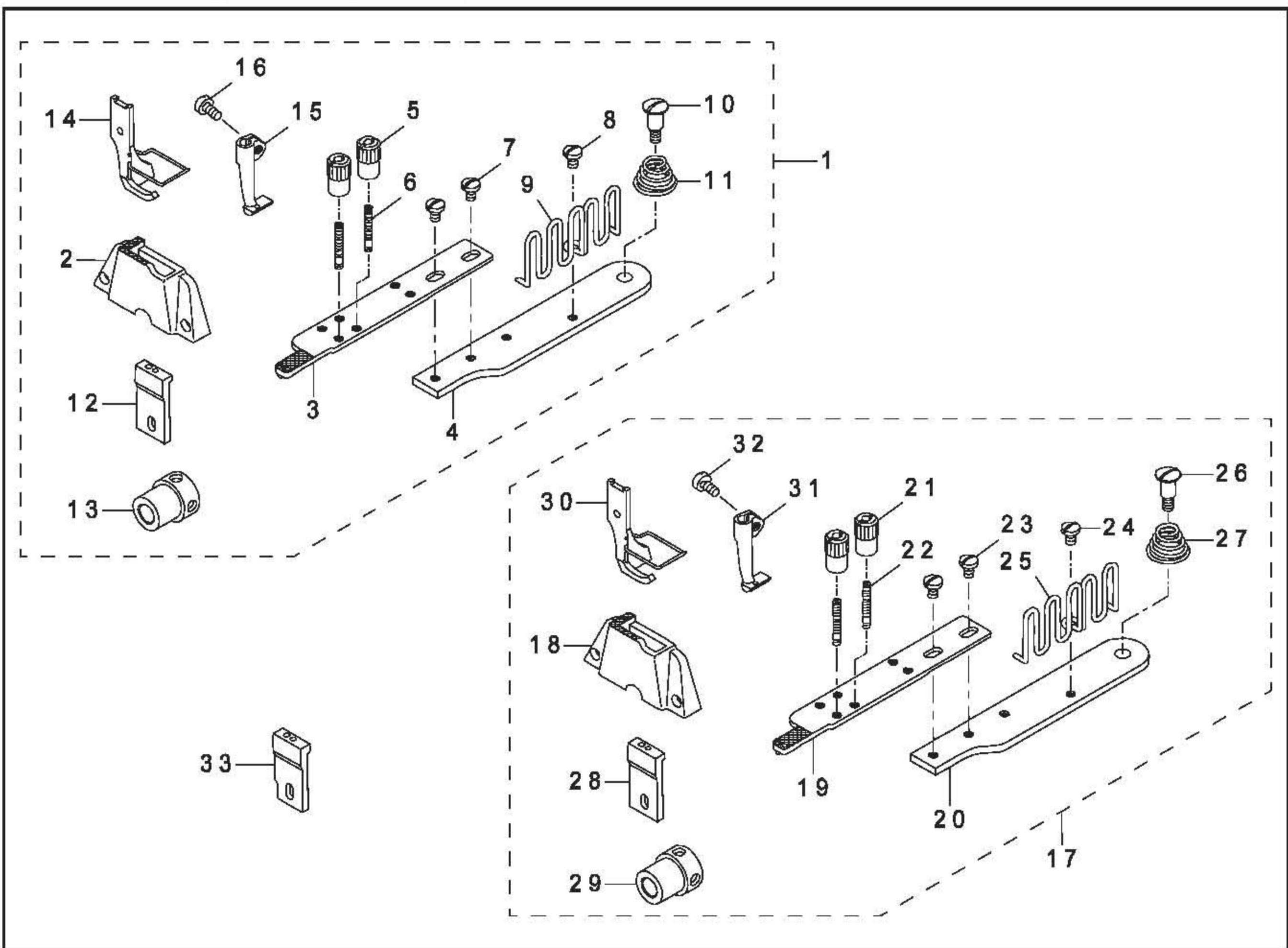
1	22930358	THREAD STAND ASM.	1
2	22931109	SPOOL RETAINER	2
3	22931000	SPOOL PIN	2
4	22930903	SPOOL REST CUSHION	2
5	22930804	SPOOL REST	2
6	SM6061610SC	SCREW M6 L=16	2
7	22930705	THREAD GUIDE ARM JOINT	2
8	22931406	SPOOL REST ROD RUBBER CAP	1
9	22930507	SPOOL REST ARM	1
10	22930408	SPOOL REST ROD UPPER	1
11	22931307	SPOOL REST ROD JOINT	1
12	SM4051405SE	SCREW M5 L=14	2
13	NM6050001SE	NUT M5	2
14	22930309	SPOOL REST ROD LOWER	1
15	22930556	THREAD STANDING ARM ASM.	1
16	WS0510002KN	SPRING WASHER	2
17	NM6050001SE	NUT M5	2
18	NM6160511SE	NUT M16X1.5	2
19	WP1612616SE	WASHER 16X30X2.6	2
20	WS1643202KR	SPRING WASHER	1

15. Gauge components—optionals



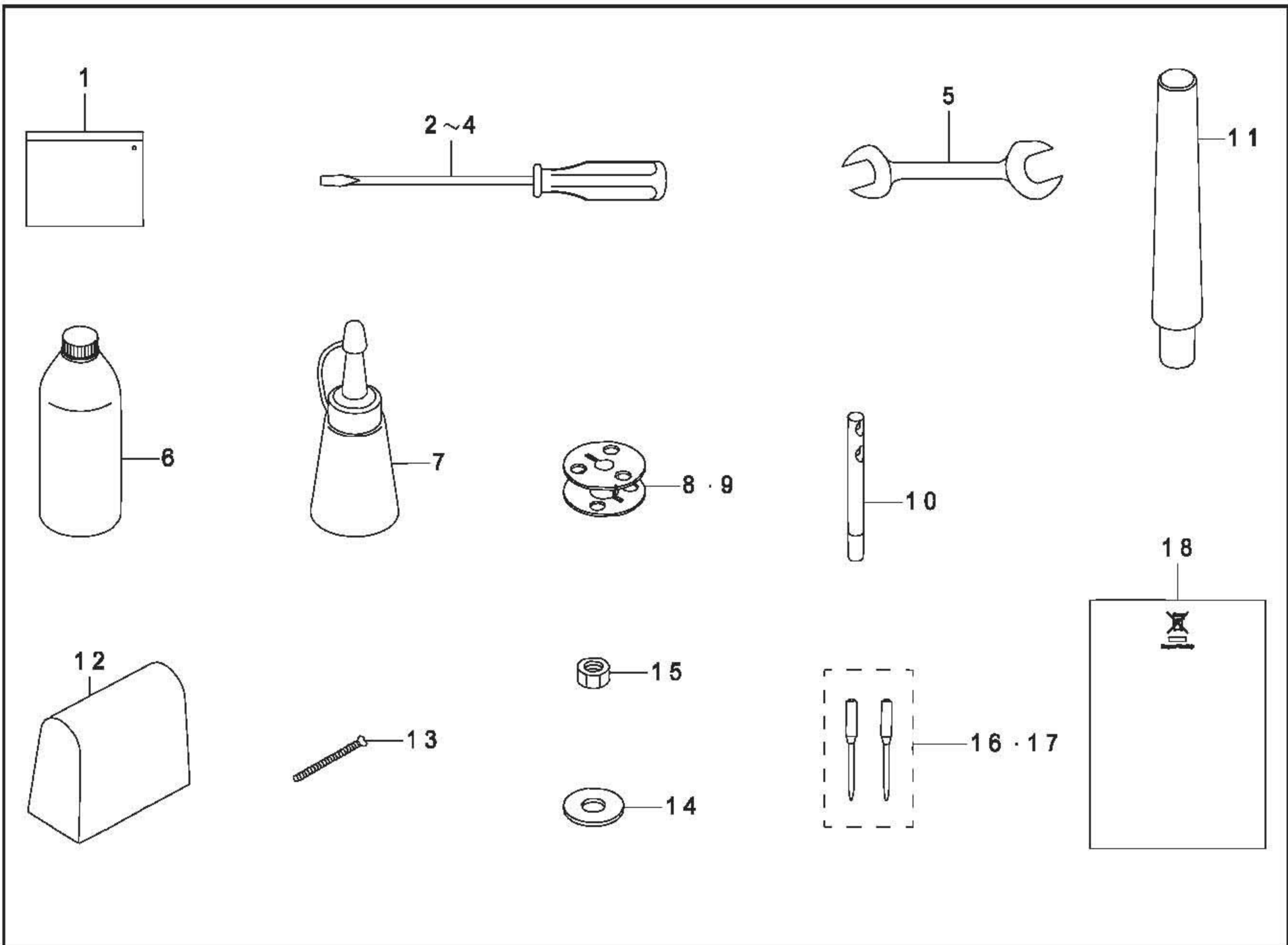
编码及型号			
1	B91013400A0	EDGE GUIDE ASM.	1
2	MAM22709000	SCREW	2
3	WP0551016SH	WASHER 5.5X13X1	2
4	B9104340000	FIXING BINDER FITTING PLATE.	1
5	21225305	FEED DOG 3.2MM	1
6	21225008	FEED DOG	1
7	21231006	WALKING FOOT	1
8	21445606	THROAT PLATE	1

16. Binder components—optional parts



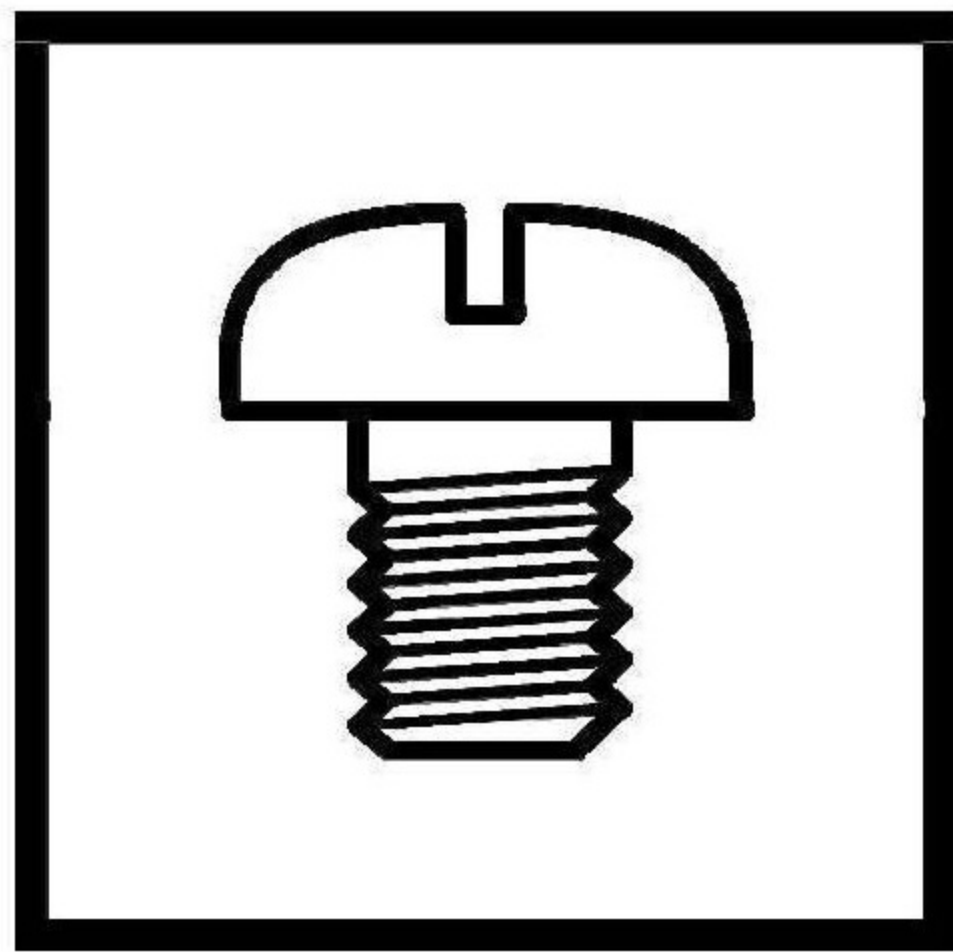
1	21434857	LS-1341 BINDER SET	1
2	21427406	THROAT PLATE	1
3	MAQ14302000	FEED PLATE A ASM.	1
4	MAQ14303000	FEED PLATE B	1
5	MAQ09205000	BINDER LOCK NUT	2
6	MAQ09204000	BINDER SETSCREW	2
7	SS7110510SP	SCREW 11/64-40 L=5	2
8	SS7110510SP	SCREW 11/64-40 L=5	1
9	MAQ09206000	TAPE GUIDE	1
10	SD0721112SN	HINGE SCREW D=7.24 H=11.1	1
11	21232004	SPRING	1
12	MAQ14306000	FEED	1
13	40011964	FEED VERTICAL CAM	1
14	MAQ093080A0	PRESSER FOOT ASM.	1
15	MAQ09307000	WALKING FOOT	1
16	SS6110710TP	SCREW 11/64-40 L= 6.5	1
17	21434758	LS-1340 BINDER SET	1
18	MAQ14301000	THROAT PLATE	1
19	MAQ14302000	FEED PLATE A ASM.	1
20	MAQ14303000	FEED PLATE B	1
21	MAQ09205000	BINDER LOCK NUT	2
22	MAQ09204000	BINDER SETSCREW	2
23	SS7110510SP	SCREW 11/64-40 L=5	2
24	SS7110510SP	SCREW 11/64-40 L=5	1
25	MAQ09206000	TAPE GUIDE	1
26	SD0721112SN	HINGE SCREW D=7.24 H=11.1	1
27	21232004	SPRING	1
28	MAQ14306000	FEED	1
29	40011964	FEED VERTICAL CAM	1
30	MAQ093080A0	PRESSER FOOT ASM.	1
31	MAQ09307000	WALKING FOOT	1
32	SS6110710TP	SCREW 11/64-40 L= 6.5	1
33	21225404	FEED	1

17. Accessories



1	B9101552000	ACCESSORY BOX	1
2	22933006	SCREW DRIVER LARGE	1
3	22933105	SCREW DRIVER MIDDLE	1
4	22933204	SCREW DRIVER SMALL	1
5	B9113012000	WRENCH (9X10)	1
6	MDFRX2700C0	NEW DEFRIX OIL NO.2(700CC)	1
7	J1067000000	OILER	1
8	B9117201000	BOBBIN	1
9	B9117051000	BOBBIN	1
10	22958300	NEEDLE THREAD GUIDE PIN	1
11	B820424500A	FRAME SUPPORT BAR	1
12	40048536	HEAD_COVER	1
13	B9130245000	BOLT	4
14	WP0751576SD	WASHER 7.5X19X1.5	4
15	NM6060001SD	NUT M6	4
16	M13517B1602	NEEDLE 135X17 #160-2	1
17	M13517B1402	NEEDLE 135X17 #140-2	1
18	CM600100201	INFORMATION SHEET	1

GLOBAL



GLOBAL
PARTS